

Vertical platform lift with hydraulic drive and cabin (with enclosed lift shaft)

Specifications:

Rated Load: 400kg
 Rated Speed: 0.15m/s
 Maximum Travel: 5m
 Maximum number of stops: 5
 Internal height of cabin enclosure: 2m
 Controls: Latched call controls as standard.

Cabin Size (CW x CD)	Dim 'CW'	Dim 'CD'
	1100	1400
Footprint (FW x FD)	Dim 'FW'	Dim 'FD'
	1510	1600
Aperture (+10/-0) (AW x AD)	Dim 'AW'	Dim 'AD'
	1560	1650
Door Opening/ Swing (A/B)	Dim 'A'	Dim 'B'
	900	930

Notes:

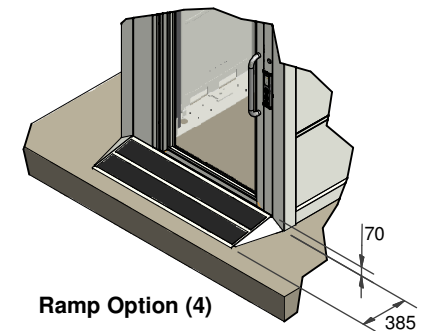
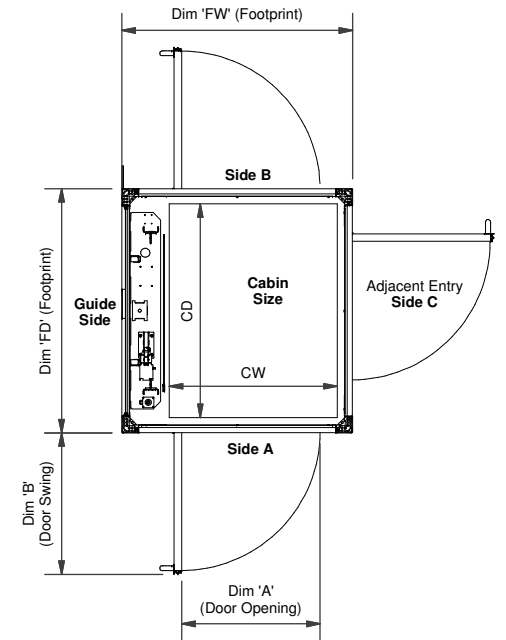
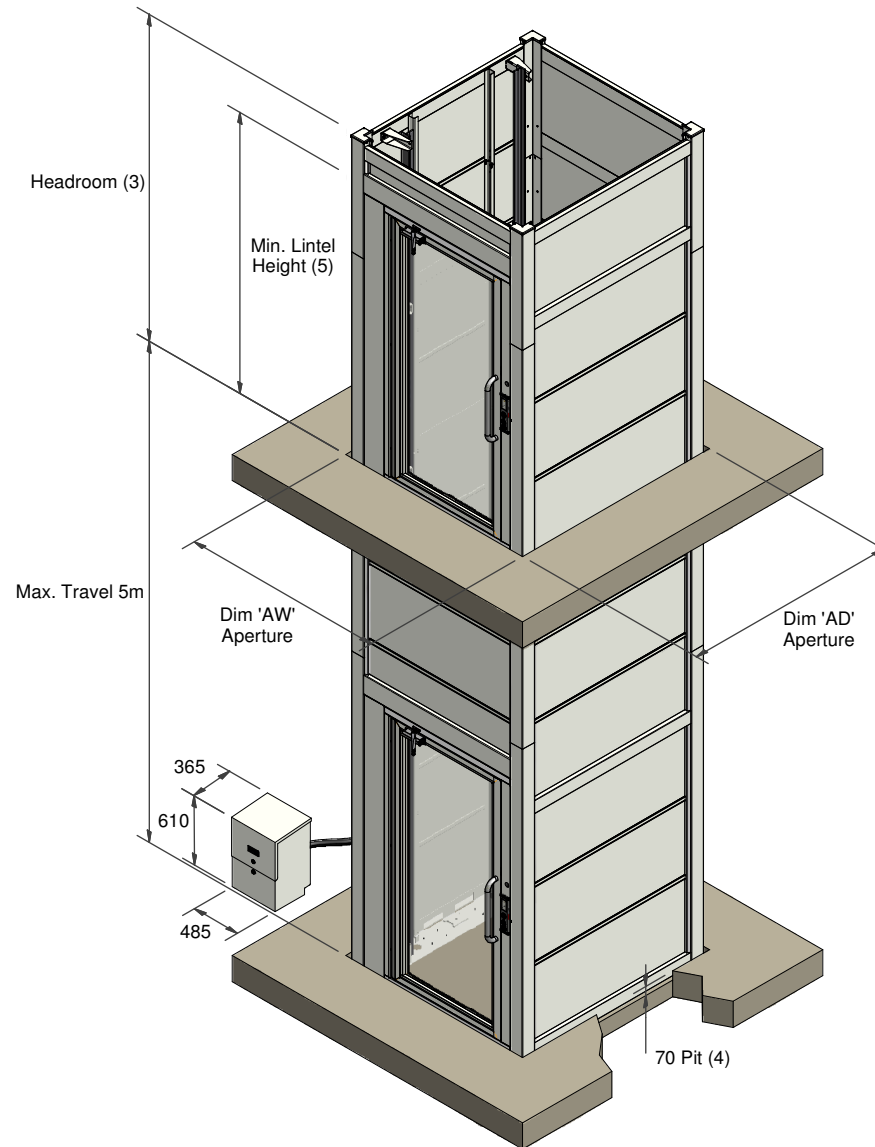
- (1) All dimensions in mm unless stated.
 - (2) 2500mm minimum floor to floor is required for entrances above each other on the same side.
 - (3) Headroom of 2500 is required at the upper level (same for all travels).
 - (4) If pit cannot be formed a ramp is available as an optional extra.
 - (5) Min. lintel height required for standard door closers = 2150mm. Min. lintel height for a powered fire door closer = 2250mm (add 70mm to either dim if ramp option is being used - this applies only to the lower floor).
 - (6) Part M (England & Wales) and section 4.2 of the Technical Handbook (Scotland) compliant.
 - (7) Range of cabin finishes available, please contact us for further information.
- Electrical Requirements:**
- (8) Provide a dedicated single phase supply protected by a 16amp type D MCB. The lift supply is to terminate in a lockable isolator at a position shown on builders work diagram.
 - (9) Provide a 13amp electrical outlet socket adjacent to the lift installations at all levels. The supply to these sockets is **not** to be derived from the lift supply detailed in note 8 above
 - (10) Ensure that lighting at all landing levels is not less than 50lux.

Fixings:

- (11) The lift is fixed to the floor at the base of the enclosure. Fixings are also required at other points, the exact location depends on travel and configuration. Please contact us to discuss further.

Control Equipment:

- (12) The drive unit and electrical control equipment are housed in a separate enclosure, which should be wall mounted and located within 3m of the base of the lift (guide side).



Waiver

The data sheet is for guidance only & must not be used for proper working drawings. Please contact us for particular details before proceeding. Owing to our policy of continual improvement, we reserve the right to alter specifications & dimensions without prior notice.

Information
sheet

SL+ 801T

28/11/2014